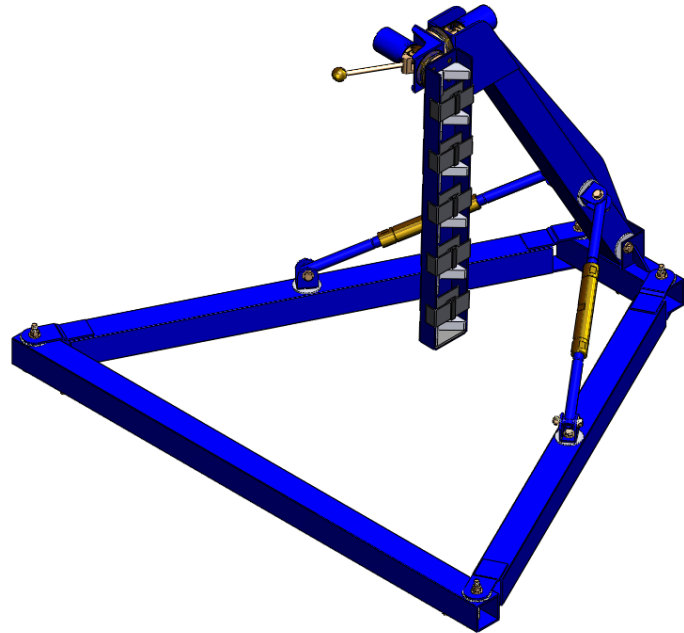


■ GENERAL DESCRIPTION

The Calibration Stand is designed for MWD directional sensor verification with Fourmost’s innovative cam style locking mechanism, enabling independent rotational movement about two different axes. Equipped with digital positioning encoders, the calibration stand is capable of providing real time azimuth and inclination measurements accurate to 0.1 degrees. The stand is constructed from light weight non-magnetic material and equipped with a fully adjustable frame for simple initial setup.



■ FEATURES

- Constructed from light-weight non-magnetic materials.
- Dual independent rotational planes allow for any inclination and azimuth positioning measurement.
- Simple setup, positioning and calibration on any stable surface.
- Digital real time displays for inclination and azimuth accurate to 0.1 degrees.

■ SPECIFICATIONS

OVERALL DIMENSIONS	43" TALL x 51" WIDE x 62" DEEP
OVERALL WEIGHT	100 LBS.
MAXIMUM MODULE WEIGHT	150 LBS.
MAXIMUM MODULE LENGTH	80"
MAXIMUM MODULE O.D.	3.5"

■ ORDERING INFORMATION

Part Number	Description
900-00002-01	Calibration Stand