

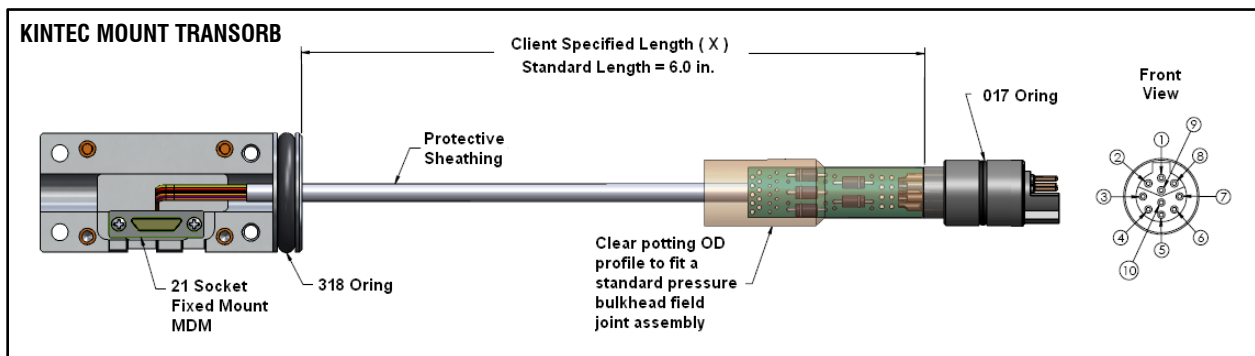
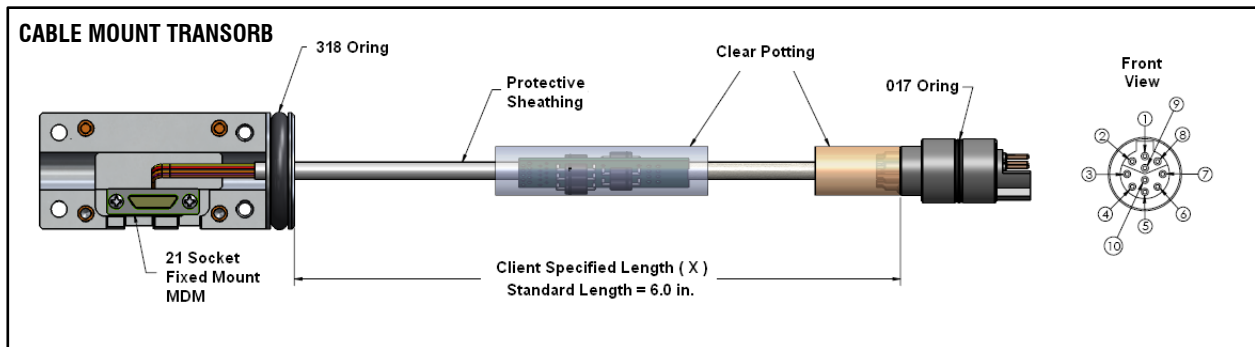
### ■ GENERAL DESCRIPTION

With the ever increasing demand for high temperature survivability components, Fourmost has designed a family of standard Measurement While Drilling (MWD) harsh environment harnesses. All components in the harnesses are OEM rated to a minimum of 200°C (392°F) to ensure survivability in today's harshest drilling environments. The Electronics Transorb Harness is fully compatible with legacy MWD Electronics modules. Fourmost offers the Electronics Transorb Harness in the standard cable mount style, or the innovative kintec mount – designed to reduce stress on the wiring and reduce damage due to shock and vibration.

### ■ FEATURES

- Assembled entirely with components OEM rated to 200°C (392°F).
- Every Kintec connector is tested to 20,000 PSI.
- Protective sheathing adds an extra layer of durability to the harness.
- Clear potting allows for visual inspection of the Transorb PCB and wire solder joints.
- Added cable support eliminates flexing near pinch points during assembly.
- Optional power line protection available on both styles of Electronics Transorb Harnesses.

### ■ DIMENSIONS [inches]



### ELECTRICAL SPECIFICATIONS

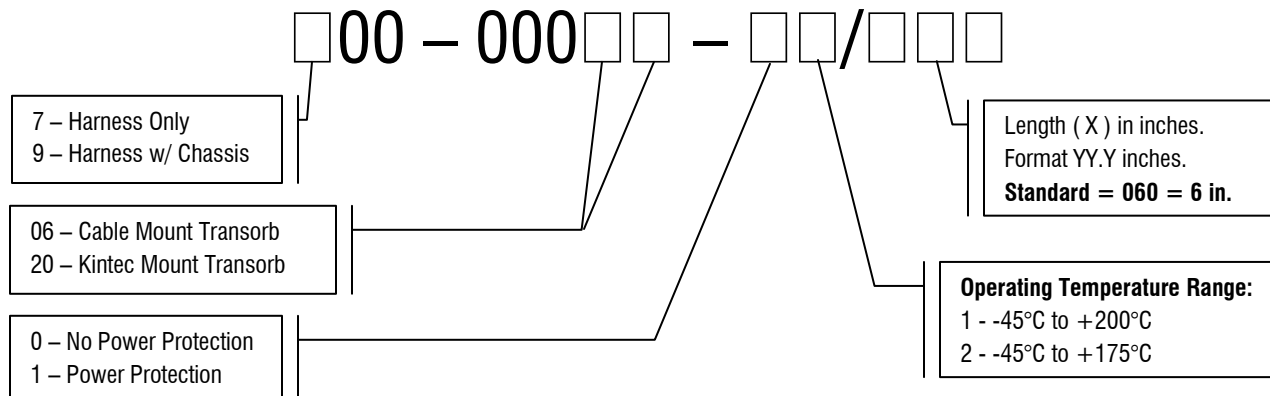
#### 175°C RATED MODELS

PARAMETER	CONDITIONS	MIN	TYP	MAX	UNITS
Operating Temperature		-45		175	Celsius
<b>LOGIC LINE PROTECTION @ 25°C</b>					
Power Dissipation			3.0		Watts
Operating Voltage		0		5.0	Volts
Breakdown Voltage	10mA	6.4		7.0	Volts
<b>POWER LINE PROTECTION @ 25°C (OPTIONAL)</b>					
Power Dissipation			3.0		Watts
Operating Voltage		0		33.0	Volts
Breakdown Voltage	1mA	36.7		40.6	Volts

#### 200°C RATED MODELS

PARAMETER	CONDITIONS	MIN	TYP	MAX	UNITS
Operating Temperature		-45		200	Celsius
<b>LOGIC LINE PROTECTION @ 25°C</b>					
Power Dissipation			1.0		Watts
Operating Voltage		0		5.0	Volts
Breakdown Voltage	45mA	5.32	5.6	5.88	Volts
<b>POWER LINE PROTECTION @ 25°C (OPTIONAL)</b>					
Power Dissipation			1.0		Watts
Operating Voltage		0		33.0	Volts
Breakdown Voltage	6mA	40.85	43	45.15	Volts

### ORDERING INFORMATION



**CALL US WITH YOUR CUSTOM HARNESS REQUIREMENTS AT 403-705-0460**  
**OR EMAIL US AT [INFO@4MOST-TECHNOLOGY.COM](mailto:INFO@4MOST-TECHNOLOGY.COM)**